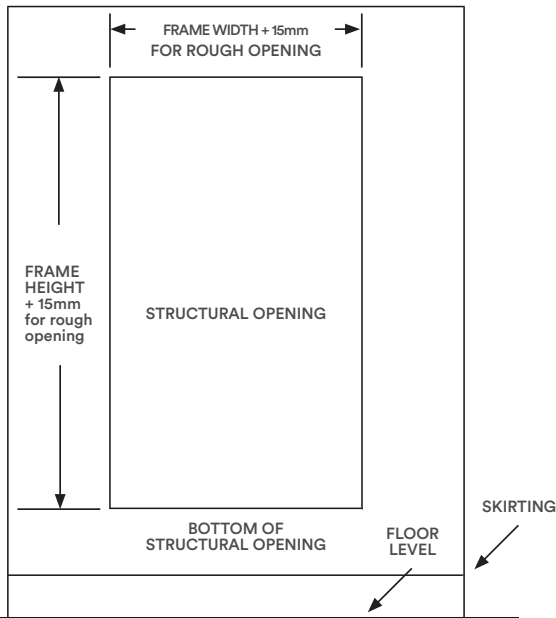
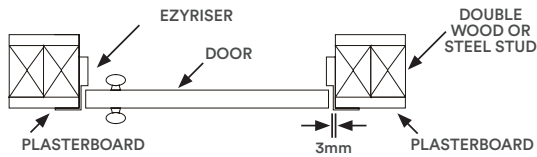


# Installation Instructions

## Step 1

Ensure that the structural opening is square, level, and is the correct size.

Make sure the structural opening has double studs, the manufacturer strongly recommends wood studs or a minimum 20 gauge 0.30mm metal studs on both sides of the opening. UK Fire Standards require no more than 3mm gap around the top and sides of the door, please take this into consideration when installing the EzyRiser Riser Door.

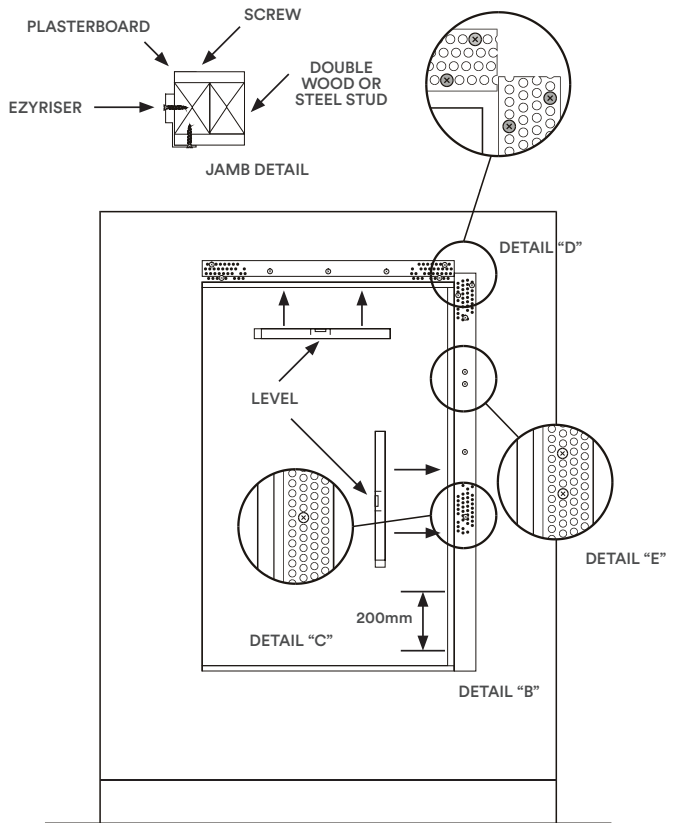


## Step 2

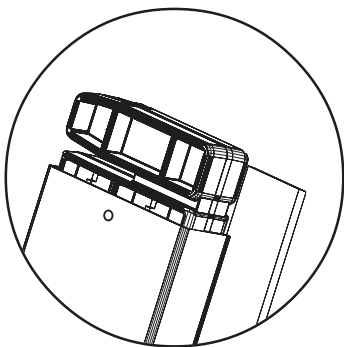
Ensure the structural opening is square and level.

Fasten hinge side first, making sure jamb is level and as tight against stud opening as possible.

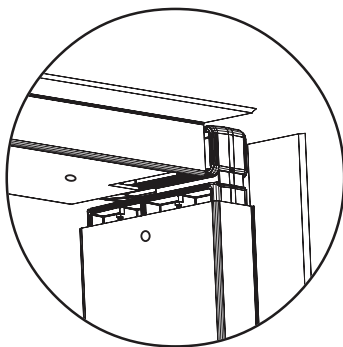
Then screw at 200mm centres up stile, screwing back through drywall into stud jamb. Double screw all ends as Detail D and beside hinge positions - both above and below hinge if using concealed hinges as Detail E.



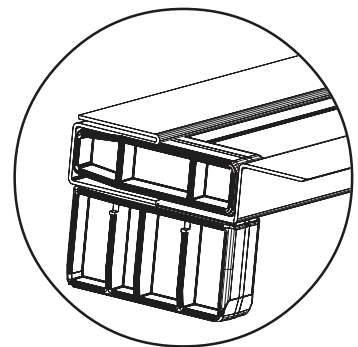
## Step 2A | Head Installation



Head joiners as inserted in jamb.



Locate head into joiner and make flush with jamb so the head joiner is not seen.



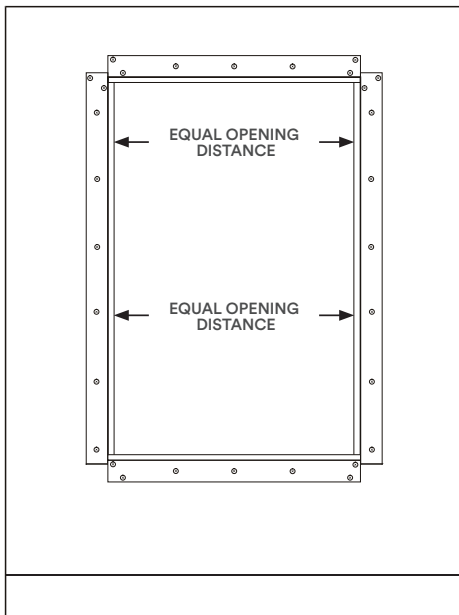
Remove the remaining head joiner out of the strike jamb into the end of the head (as shown) to receive the strike jamb. Repeat for the bottom jamb.

# Installation Instructions

## Step 3

Fit the final vertical section (strike jamb) into the head section joining clip. Ensure that the spacing between the two vertical sections are spaced evenly at the required distance.

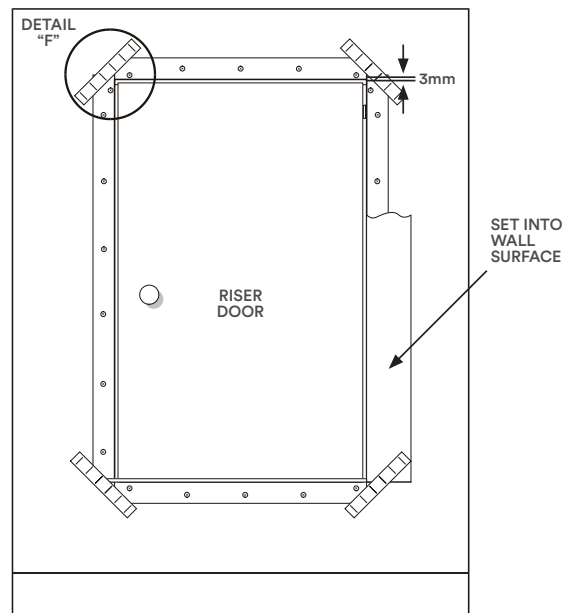
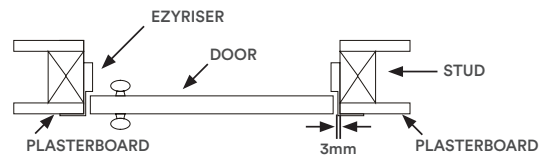
Ensure the head jamb sits inside the two side jambs. (2mm down from top of side jamb)



## Step 4

Ensure the perforated side strips sit flat against the plasterboard to enable the jamb sections to be easily set into the wall surface. All the corners must be taped and plastered in as Detail F. Finish the jamb with approved plaster compound.

Hang the door in position leaving about 3mm clearance from the top and the hinged side using the RocYork Concealed Hinges. Mount the striker plate into position to align with the strike plate punching.



## Completed Installation

The completed riser door is flush finished and can be painted in with the whole wall area to fully conceal any fixing, achieving simple clean lines around the door face.

