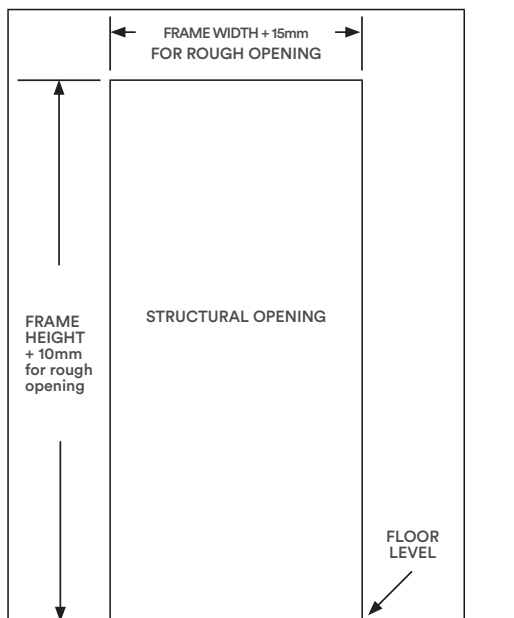
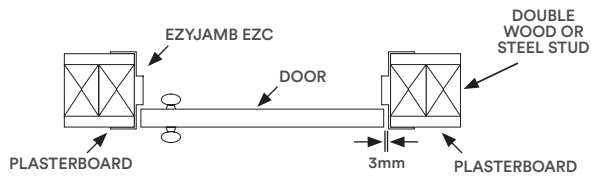


Installation Instructions

Step 1

Ensure that the structural opening is square and level and is the correct size.

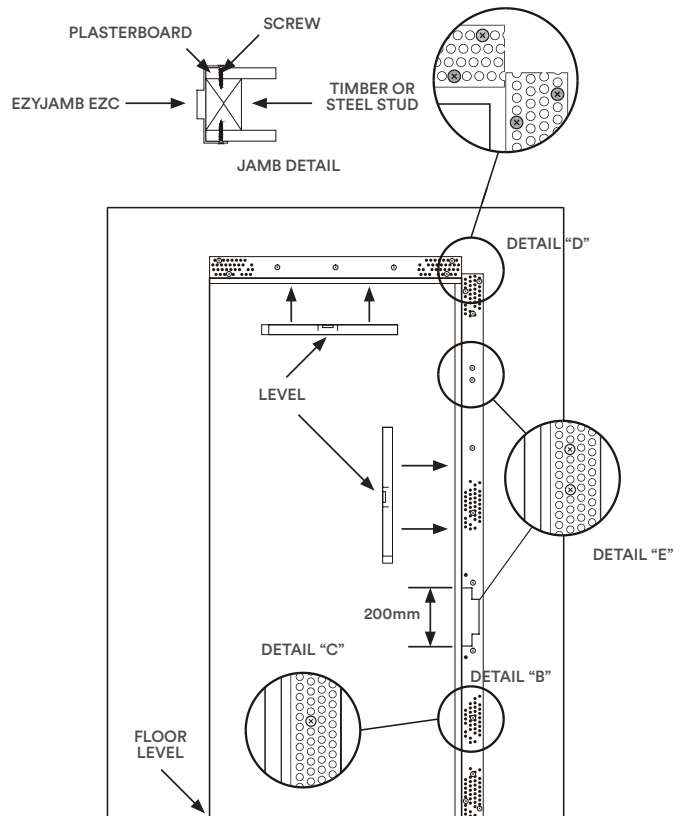
Make sure the rough opening has double studs, the manufacturer strongly recommends wood studs or a minimum 18 gauge 0.75mm metal studs on both sides of the opening. Studco recommends double studs for this installation.



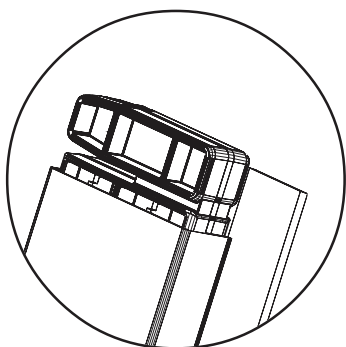
Step 2

Fasten hinge side first, making sure jamb is level and as tight against stud opening as possible. Then screw at 200mm centres up stile, screwing back through plasterboard into stud work See Detail 'B' and 'C'.

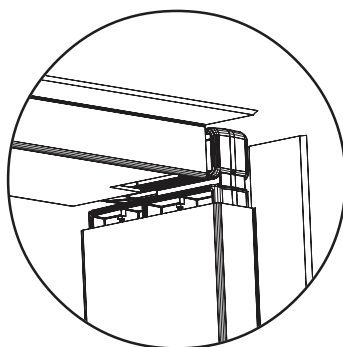
Double screw all ends as per Detail D. and beside hinge position - both above and below hinge as Detail E.



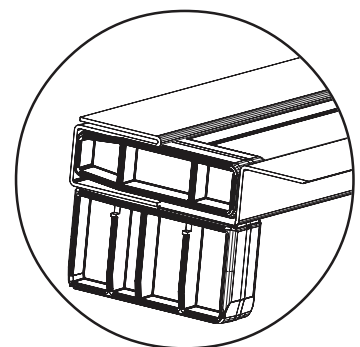
Step 2A | Head Installation



Head joiners as inserted in jamb.



Locate head into joiner and make flush with jamb so the head joiner is not seen.



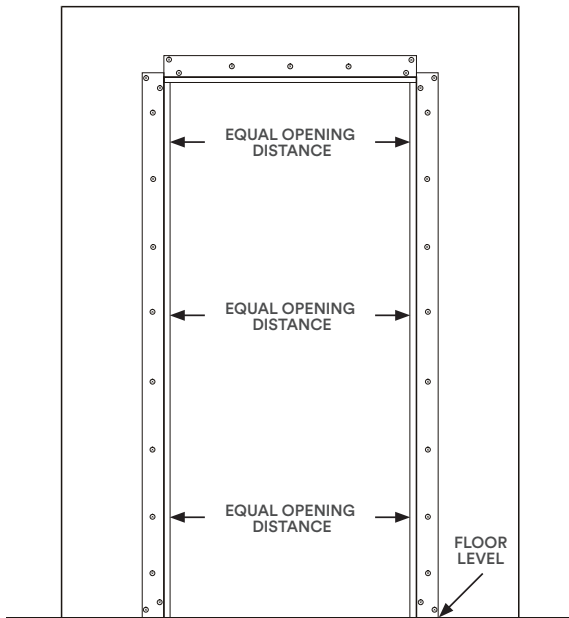
Remove the remaining head joiner out of the strike jamb into the end of the head (as shown) to receive the strike jamb.

Installation Instructions

Step 3

Fit the final vertical section (strike jamb) into the head section joining clip. Ensure that the spacing between the two vertical sections are spaced evenly at the required distance.

Ensure the head jamb sits inside the two side jambs. (2mm down from top of side jamb)

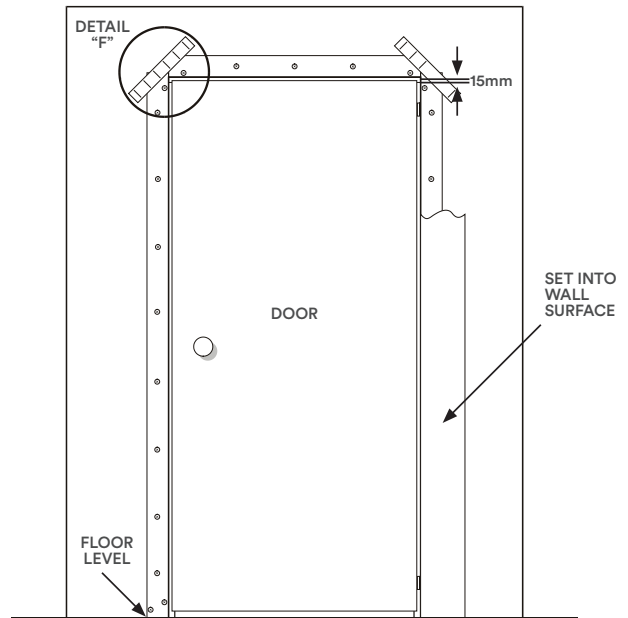
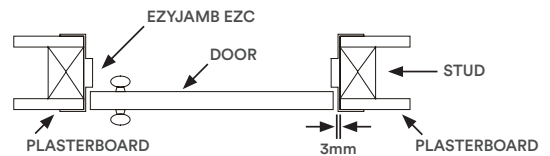


Step 4

Ensure the perforated side strips sit flat against the plasterboard to enable the jamb sections to be easily set into the wall surface. Finish the jamb with jointing compound or plaster skin.

All the corners must be scrimtaped and plastered/jointed in as Detail F.

Hang the door in position leaving about 3mm clearance from the top and the hinged side using the EzyJamb Standard or concealed Hinges. Surface mount the striker plate into position to align with the latch plate punching.



Completed Installation

The completed jamb is flush finished and can be painted and primed in with the wall to fully conceal any fixing, achieving simple clean lines around the door face.

For further information or assistance in installation of EzyJamb products, please visit:

www.ezconcept.co.uk/installation

